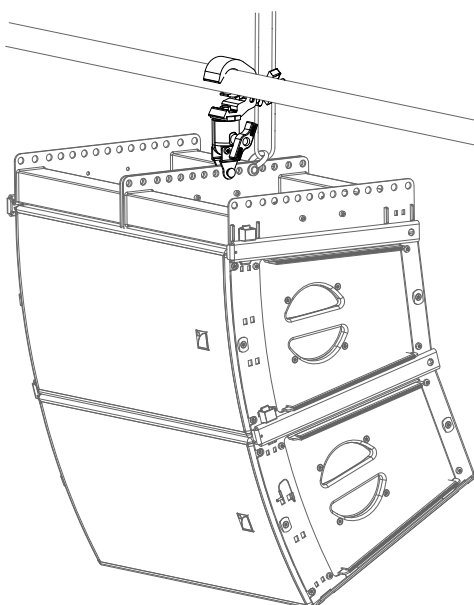
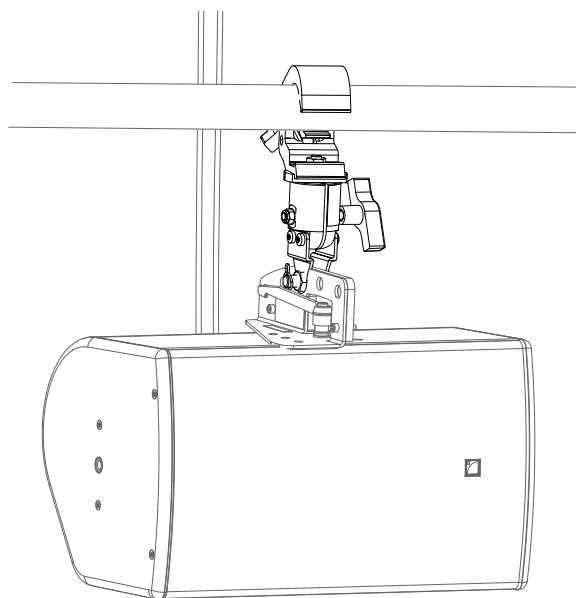
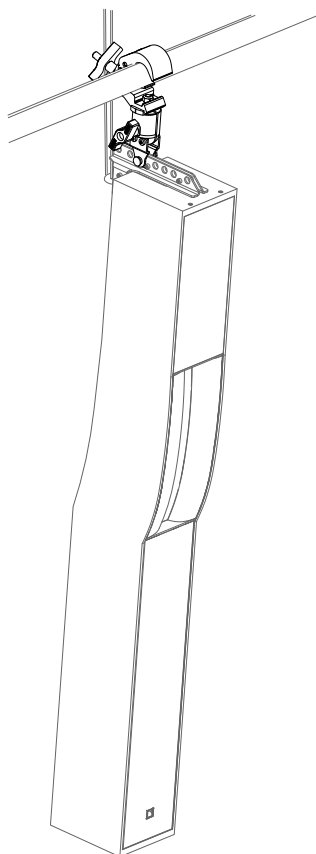


CLAMP250



rigging manual (EN)



Document reference: CLAMP250 rigging manual (EN) version 1.1

Distribution date: June 11, 2018

© 2018 L-Acoustics. All rights reserved.

No part of this publication may be reproduced or transmitted in any form or by any means without the express written consent of the publisher.

Contents

Safety.....	4
Instructions.....	4
Symbols.....	5
Welcome.....	5
Mechanical safety.....	6
Rigging system description.....	7
CLAMP250 specifications.....	8

Safety

Instructions



Inspect the system before any deployment.

Perform safety related checks and inspections before any deployment.

Perform preventive maintenance at least once a year.

Refer to the preventive maintenance section for a list of actions and their periodicity.

Insufficient upkeep of the product can void the warranty.

If any safety issue is detected during inspection, do not use the product before performing corrective maintenance.



Never incorporate equipment or accessories not approved by L-Acoustics.

Read all the related PRODUCT INFORMATION documents shipped with the products before exploiting the system.



Do not store the product on an unstable cart, stand, tripod, bracket, or table.



Work with qualified personnel for rigging the system

Installation should only be carried out by qualified personnel that are familiar with the rigging techniques and safety recommendations outlined in this manual.

Ensure personnel health and safety

During installation and set-up personnel must wear protective headgear and footwear at all times. Under no circumstances is personnel allowed to climb on a loudspeaker assembly.

Respect the Working Load Limit (WLL) of third party equipment.

L-Acoustics is not responsible for any rigging equipment and accessories provided by third party manufacturers.

Verify that the Working Load Limit (WLL) of the suspension points, chain hoists and all additional hardware rigging accessories is respected.

Respect the maximum configurations and the recommended safety precautions.

For safety issue, respect the maximum configurations outlined in this manual. To check the conformity of any configuration in regards with the safety precautions recommended by L-Acoustics, model the system in Soundvision and refer to the warnings in Mechanical Data section.

Be cautious when flying a loudspeaker configuration.

Always verify that no one is standing underneath the loudspeaker array when it is being raised. As the array is being raised, check each individual element to make sure that it is securely fastened to the adjacent element. Never leave the array unattended during the installation process.

As a general rule, L-Acoustics recommends the use of safety slings at all times.

Be cautious when ground-stacking a loudspeaker array.

Do not stack the loudspeaker array on unstable ground or surface. If the array is stacked on a structure, platform, or stage, always check that the latter can support the total weight of the array.

As a general rule, L-Acoustics recommends the use of safety straps at all times.

Risk of falling objects

Verify that no unattached items remain on the array.




Risk of tipping

Remove all rigging accessories before transporting an array.

Take into account the wind effects on dynamic load.




When a loudspeaker assembly is deployed in an open air environment, wind can produce dynamic stress to the rigging components and suspension points.

If the wind force exceeds 6 bft (Beaufort scale), lower down and/or secure the loudspeaker array.

-  **Intended use**
This system is intended for use by trained personnel for professional applications.
-  **Read the USER MANUAL before operating the system.**
Use the loudspeaker system components described in the user manual and follow the operating instructions.
-  **Do not expose the product to extreme conditions.**
Do not expose the product to rain or sea spray.
Do not expose the product to moisture (mist, steam, humidity, condensation...) or excessive heat (direct sun, radiator...) for a long period of time.

Symbols

The following symbols are used in this document:

-  This symbol indicates a potential risk of harm to an individual or damage to the product.
It can also notify the user about instructions that must be strictly followed to ensure safe installation or operation of the product.
-  This symbol notifies the user about instructions that must be strictly followed to ensure proper installation or operation of the product.
-  This symbol notifies the user about complementary information or optional instructions.

Welcome

Thank you for purchasing the L-Acoustics CLAMP250.

This document contains essential information on rigging the system properly.

As part of a continuous evolution of techniques and standards, L-Acoustics reserves the right to change the specifications of its products and the content of its document without prior notice. Please check www.l-acoustics.com on a regular basis to download the latest document and software updates.

Mechanical safety

Flown configurations

The CLAMP250 rigging system complies with 2006/42/EC: Machinery Directive. It has been designed following the guidelines of BGV-C1.

2006/42/EC: Machinery Directive specifies a safety factor of 4 against the rupture. The flown deployments described in this manual achieve a safety factor of **7**.

CLAMP250 has a WLL of **250 kg / 550 lb**.

Systems compatible with CLAMP250

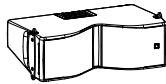
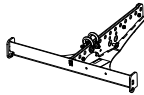
Syva Bar



Syva

Syva system

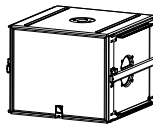
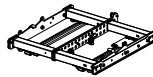
KIBU II



Kiva II

Kiva II system

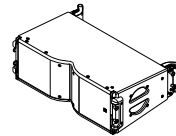
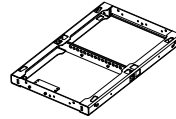
KIBU-SB



SB15m

SB15m system

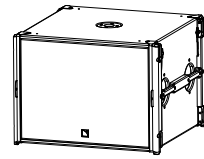
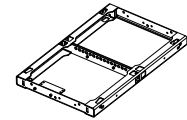
KARA-MINIBU



Kara

Kara system

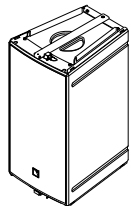
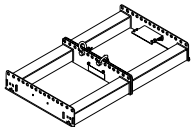
KARA-MINIBU



SB18

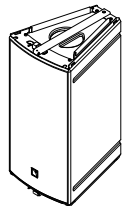
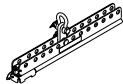
SB18 system

WIFOBUMP



ARCS Focus

WIFOLIFT



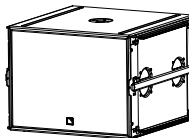
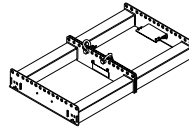
ARCS Wide

WIFO system

WIFOLIFTBAR



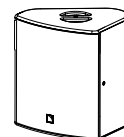
WIFOBUMP



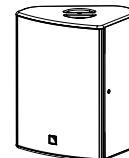
SB18m

SB18m system

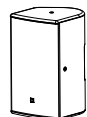
X-BAR



X12



X15 HiQ



X8

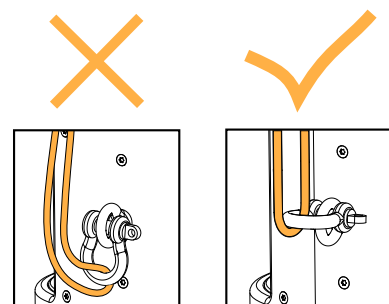
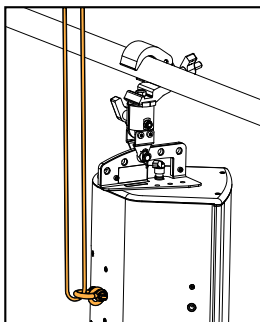
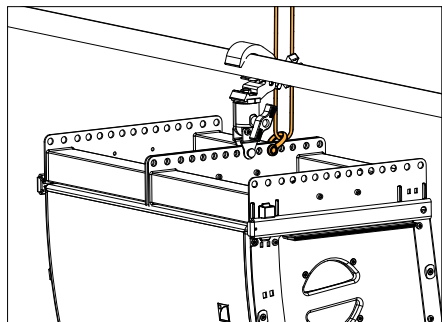
X series

Assessing mechanical safety

Additional safety for flown arrays with CLAMP250

Always implement a secondary safety using a shackle and a steel wire rope. Use available holes on the rigging element or secure a DIN-580 eye bolt on the dedicated insert on the enclosure.

Make sure the steel rope is as tensed as possible without bearing the load.



Mechanical safety of the rigging system

Information about the safety of enclosure arrays is not provided in this document.

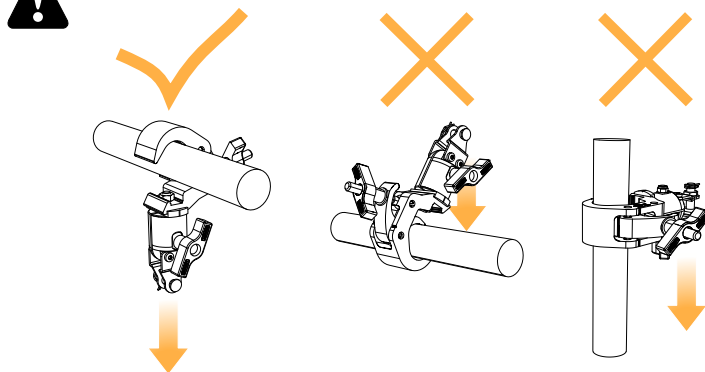
Refer to the corresponding system rigging manual.

Rigging system description

CLAMP250 is a quick trigger clamp designed to hang an L-Acoustics enclosure array from a truss.

It can lift up to 250 kg (550 lb).

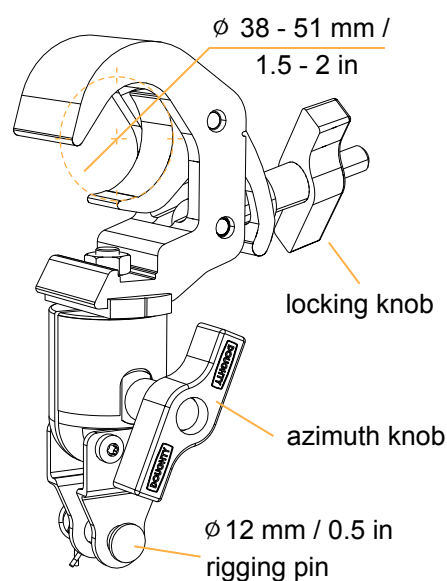
CLAMP250 must only be used for vertical loads.



CLAMP250 is secured to the rigging accessory with a \varnothing 12 mm (0.5 in) rigging pin. Refer to [Mechanical safety](#) for compatible accessories.

A wing knob allows to tighten the clamp to a \varnothing 38 - 51 mm (1.5 - 2 in) tube. A second knob is available to lock the azimuth angle.

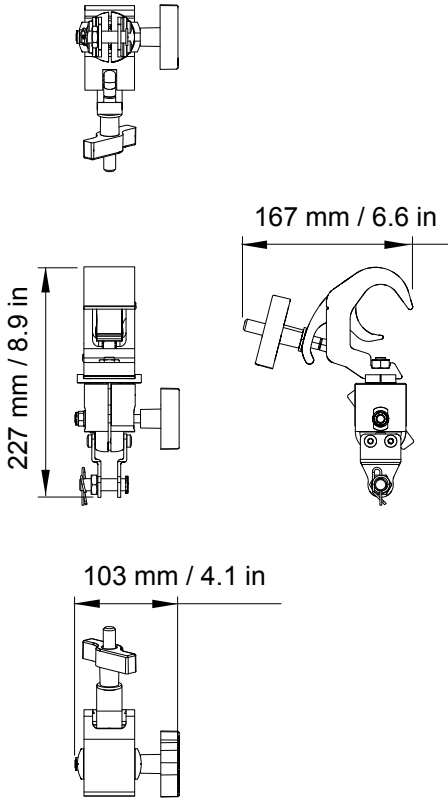
! Tighten the wing knobs by hand only.



CLAMP250 specifications

Description	clamp certified for 250 kg
Weight (net)	1.8 kg / 4 lb
Material	high grade steel with anti-corrosion coating

CLAMP250 dimensions





L-Acoustics, an L-Group Company

13 rue Levacher Cintrat - 91460 Marcoussis - France
+33 1 69 63 69 63 - info@l-acoustics.com
www.l-acoustics.com

L-Acoustics GmbH

Steiermärker Str. 3-5
70469 Stuttgart
Germany
+49 7 11 89660 323

L-Acoustics Ltd.

PO. Box Adler Shine - Aston House
Cornwall Avenue - London N3 1LF
United Kingdom
+44 7224 11 234

L-Acoustics Inc.

2645 Townsgate Road, Suite 600
Westlake Village, CA 91361
USA
+1 805 604 0577



L-GROUP

www.l-group.com